



FND type

LCD type

IR controller (Standard)



Smart phone application (Bluetooth Option)

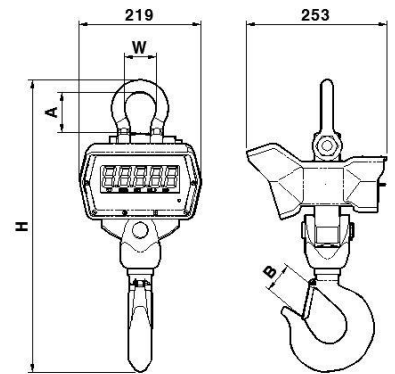


TF-100



TF-400

ZigBee Controller (Option)



**FEATURE**

- ◆ Provided swivel hook or shackle(Optional)
- ◆ Big size display
- ◆ Easy to exchange battery pack(Li-Po battery)
- ◆ Infrared Remote controller(Optional)
- ◆ Interface with wireless remote display & controller (Option-ZigBee & Bluetooth)

MODEL	DIMMENSION			
	H	A	W	B
TCB-1T	407	62	50	25
TCB-3T	525	73	57	34
TCB-5T	525	73	57	40
TCB-10T	697	101	83	55

MODEL	TCB-1T	TCB-3T	TCB-5T	TCB-10T	TCB-1TL	TCB-3TL	TCB-5TL	TCB-10TL
Capacity	1,000kg	3,000kg	5,000kg	10,000kg	1,000kg	3,000kg	5,000kg	10,000kg
Division	0.5kg	1kg	2kg	5kg	0.5kg	1kg	2kg	5kg
Max. Tare Weight	1,000kg	3,000kg	5,000kg	10,000kg	1,000kg	3,000kg	5,000kg	10,000kg
Product weight	8.9kg	15.2kg	16.7kg	26.9kg	8.9kg	15.2kg	16.7kg	26.9kg
Operating time	Approx.150hr				Approx.300hr (Backlight off)			
Display	5digit, 30.4mm FND				6 digit, 29mm FSTN LCD			
Battery	Lithium Polymer Battery 7.4V				Lithium Polymer Battery 3.7V			
Charging adaptor	DC 12V, 1A SMPS				DC 5V, 1A SMPS			
Temperature range	-10℃ ~ 40℃							
Display lamp	Low Battery, Zero, Tare, Hold							
Keypad	ON/OFF, Zero, Tare, Hold							
Parts	Charging Adaptor, Lithium Polymer Battery Pack , Infrared remote controller							